

# DF10.14LM

Lavoce

## 1" COMPRESSION DRIVER

FERRITE MAGNET



- 36 mm (1.4 in.) EDGEWOUND CCA VOICE COIL, WITH KAPTON FORMER
- 106 dB SPL 1W/ 1m SENSITIVITY
- 50 W PROGRAM POWER HANDLING (25 W AES)
- FEM OPTIMIZED MOTOR, PHASEPLUG AND DIAPHRAGM
- 1500 - 20000 Hz FREQUENCY RANGE
- POLYESTER DIAPHRAGM
- SMOOTH FREQUENCY RESPONSE

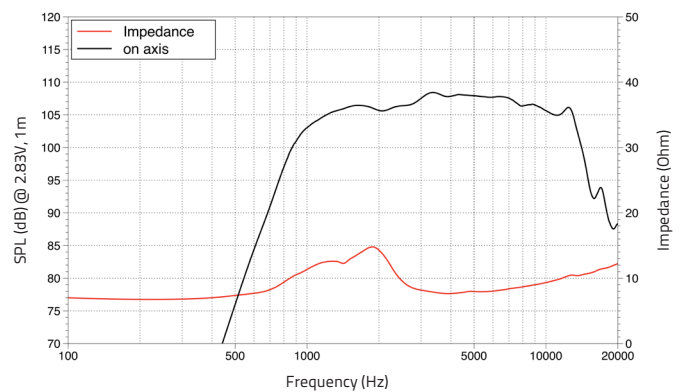
### GENERAL SPECIFICATIONS

|                           |                            |              |
|---------------------------|----------------------------|--------------|
| Throat diameter           | mm (in.)                   | 25,4 (1)     |
| Nominal impedance         | $\Omega$                   | 8            |
| Minimum impedance         | $\Omega$                   | 7,4          |
| Program power (1)         | W                          | 50           |
| AES Power rating (2)      | W                          | 25           |
| Sensitivity (3)           | dB                         | 106          |
| Frequency range           | Hz                         | 1500 ÷ 20000 |
| Voice coil diameter       | mm (in.)                   | 36 (1.4)     |
| Magnet material           | Ferrite                    |              |
| Magnet OD                 | mm (in.)                   | 90 (3.5)     |
| Coil material             | Copper clad aluminium wire |              |
| Former material           | Kapton                     |              |
| Diaphragm material        | Polyester                  |              |
| Surround material         | Polyester, vented          |              |
| Voice coil Inductance     | mH                         | 0,09         |
| Flux density              | T                          | 1,5          |
| Recommended crossover (4) | Hz                         | 1700         |

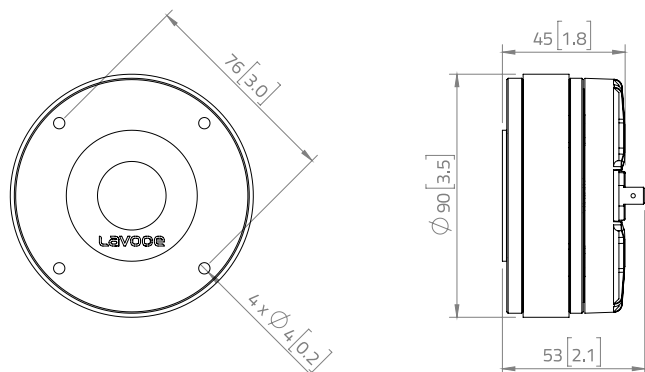
### SHIPPING INFORMATION

|                     |                                   |                                       |
|---------------------|-----------------------------------|---------------------------------------|
| Net weight          | Kg (lb.)                          | 1 (2.2)                               |
| Multipack size (12) | mm x mm x mm<br>(in. x in. x in.) | 498 x 412 x 98<br>(19.6 x 16.2 x 3.8) |
| Multipack weight    | Kg (lb.)                          | 13,5 (29.7)                           |

### FREQUENCY RESPONSE



### DIMENSIONS mm (in.)



(1) Program power is defined as 3 dB greater than AES Power. (2) Horn loaded test for 2h with continuous, band-limited (1700-20000 Hz, 12dB/oct.) pink noise as per AES 2-1984 Rev. 2003. (3) Measured on axis at 2.83V, 1m, driver loaded with 90° x 40° horn, SPL averaged in the frequency range 1700 ÷ 20000 Hz. (4) High pass filter with slope 12dB/oct. or higher.

WWW.LAVOCESPEAKERS.COM



Lavoce Italiana

sales@lavocespeakers.com sales.cn@lavocespeakers.com