

DF10.172KS

Lavoce

1" COMPRESSION DRIVER

FERRITE MAGNET



- 1.7 INCH EDGECOIL CCA VOICE COIL
- 108,5 dB/SPL SENSITIVITY
- 120 W PROGRAM POWER HANDLING
- FEM OPTIMIZED MOTOR, PHASEPLUG AND DIAPHRAGM
- 1000 - 20000 Hz FREQUENCY RANGE
- POLYIMIDE DIAPHRAGM
- SCREW-ON FITTING FOR 1-3/8 INCH-18 TPI THREADED HORNS
- NEXT GENERATION HF DESIGN

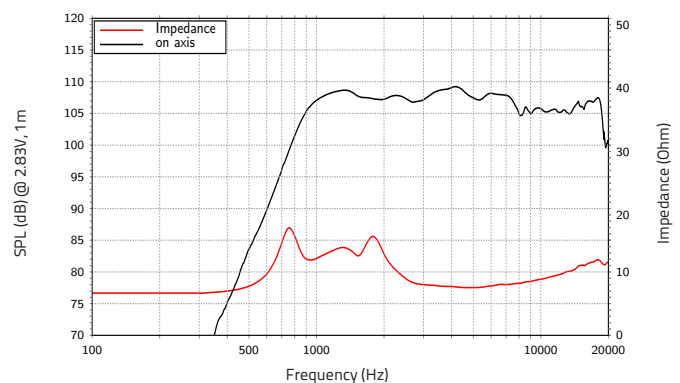
GENERAL SPECIFICATIONS

| | | |
|----------------------------|----------------------|--------------|
| Throat diameter | mm (in.) | 25,4 (1) |
| Nominal impedance | Ω | 8 |
| Minimum impedance | Ω | 7,3 |
| Program power (1) | W | 120 |
| AES Power rating (2) | W | 60 |
| Sensitivity (3) | dB | 108,5 |
| Frequency range | Hz | 1000 ÷ 20000 |
| Voice coil diameter | mm (in.) | 44,4 (1.7) |
| Magnet material | Ferrite | |
| Magnet OD | mm (in.) | 114 (4.5) |
| Coil material | Edgewound CCA | |
| Former material | Kapton | |
| Diaphragm material | Polyimide | |
| Surround material | Polyimide, vented | |
| Voice coil Inductance | mH | 0,08 |
| Flux density | T | 1,75 |
| Recommended crossover (4) | Hz | 1600 |
| Driver displacement volume | l (ft ³) | 0,4 (0.01) |

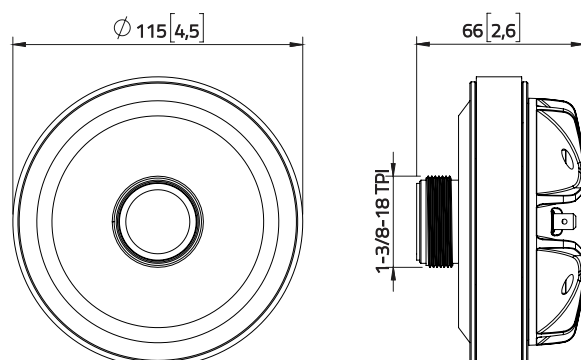
SHIPPING INFORMATION

| | | |
|--------------------|----------|---------------------|
| Net weight | kg (lb.) | 1,7 (3.7) |
| Multipack size (8) | mm | 327 x 300 x 175 |
| W x D x H | (in.) | (12.9 x 11.8 x 6.9) |
| Multipack weight | kg (lb.) | 15,6 (34.4) |

FREQUENCY RESPONSE



DIMENSIONS mm (in.)



(1) Program power is defined as 3 dB greater than AES Power. (2) Horn loaded test for 2h with continuous, band-limited (1600-20000 Hz, 12dB/oct.) pink noise as per AES 2-1984 Rev. 2003. (3) Measured on axis at 2.83V, 1m, driver loaded with HD1003 horn, SPL averaged in the frequency range 1000 ÷ 20000 Hz. (4) High pass filter with slope 12dB/oct. or higher.

All specifications subject to change without notice_E.a

WWW.LAVOCESPEAKERS.COM



Lavoce Italiana

sales@lavocespeakers.com sales.cn@lavocespeakers.com