

SSF102.40

Lavoce

10" SUBWOOFER

FERRITE MAGNET
STEEL BASKET DRIVER

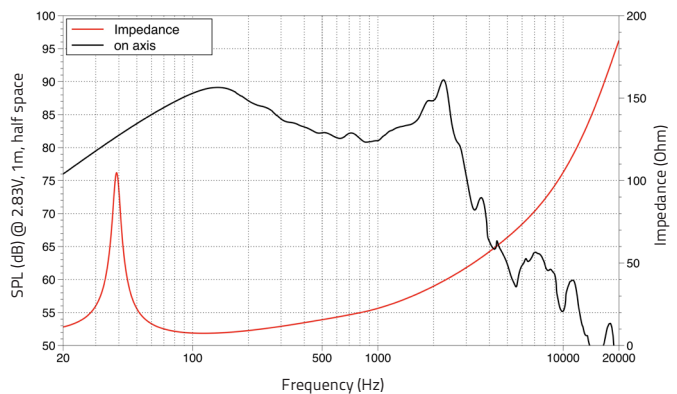


- 2.4 INCH CCAW VOICE COIL
- 86 dB/SPL SENSITIVITY
- 500 WATT PROGRAM POWER HANDLING
- 24,6 mm (0.9 INCH) PEAK TO PEAK MAXIMUM EXCURSION
- FEM OPTIMIZED MOTOR AND SUSPENSIONS
- 83 mm INSTALLATION DEPTH
- RESONANCE FREE AND HEAVY DUTY BASKET DESIGN
- RUBBER SURROUND MATERIAL

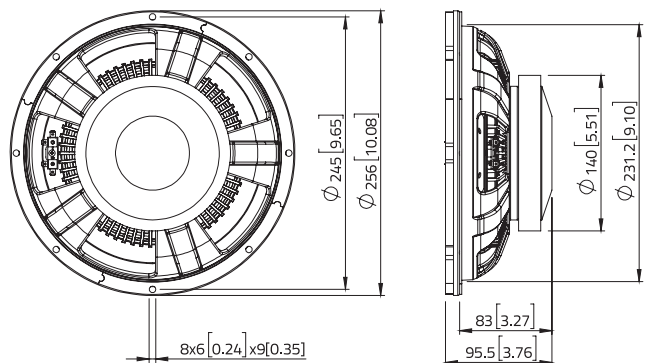
GENERAL SPECIFICATIONS

Nominal diameter	mm (in.)	250 (10)
Nominal impedance	Ω	8
Minimum impedance	Ω	7,7
Program power (1)	W	500
AES Power rating (2)	W	250
Sensitivity (3)	dB	86
Frequency range	Hz	40 ÷ 500
Voice coil diameter	mm (in.)	61 (2.4)
Chassis material		Steel
Magnet material		Ferrite
Magnet dimensions OD x ID x h	mm (in.)	140 x 70 x 20 (5.51 x 2.76 x 0.79)
Coil material		CCAW
Former material		Glass Fiber
Cone material		Water Resistant Treated Paper
Surround material		Rubber
Xmax (4)	mm (in.)	8,3 (0.33)
Xmech (5)	mm (in.)	12,3 (0.48)
Gap height	mm (in.)	8 (0.31)
Voice coil winding height	mm (in.)	20,5 (0.81)
Driver displacement volume	l (ft ³)	1,5 (0.3)
Recommended enclosure	l (ft ³)	37,7 (1.50)
Recommended tuning	Hz	45

FREQUENCY RESPONSE AND IMPEDANCE



DIMENSIONS mm (in.)



SMALL SIGNAL PARAMETERS

DC resistance	Re	Ohm	6,7
Resonance frequency	Fs	Hz	39
Moving mass	Mms	g (oz)	73,4 (2.59)
Compliance	Cms	mm/N	0,228
Force factor	BxL	N/A	14,01
Mechanical Q-factor	Qms		8,96
Electrical Q-factor	Qes		0,61
Total Q-factor	Qts		0,57
Equivalent air volume	Vas	l (ft ³)	42,55 (1.5)
Voice coil Inductance	Le	mH	2,42
Diaphragm area	Sd	cm ² (in. ²)	363,1 (56.3)
Reference efficiency	Eta 0	%	0,39
Efficiency bandwidth product	EBP	Hz	64

SHIPPING INFORMATION

Net weight	kg (lb.)	3,5 (7.6)
Multipack size (1)	mm (in.)	300 x 300 x 126 (11.8 x 11.8 x 5)
Multipack weight	kg (lb.)	4,3 (9.4)

(1) Program power is defined as 3 dB greater than AES Power. (2) Tested for two hours using a continuous, band-limited pink noise signal as per AES 2-1984 Rev. 2003. Loudspeaker tested in free air. (3) From T/S parameters, measured with Klippel DA LPM module. (4) The Xmax is calculated as: $(Hvc - Hg)/2 + Hg/4$. Hvc is the voice coil height and Hg the gap height. (5) The Xmech is calculated as: $(Hvc - Hg)/2 + (Hg - 2)$. Hvc is the voice coil height and Hg the gap height. (6) Thiele-Small parameters are measured after preconditioning: a) at 20°C - 22°C, 50% humidity for 2 hours; b) by Klippel LSI measurement.

All specifications subject to change without notice_E.a

WWW.LAVOCESPEAKERS.COM



Lavoce Italiana

sales@lavocespeakers.com sales.cn@lavocespeakers.com