

WAF154.03

Lavoce

15" WOOFER

FERRITE MAGNET
ALUMINIUM BASKET DRIVER



- 4 INCH CCAW VOICE COIL
- 98 dB/SPL SENSITIVITY
- 1700 WATT PROGRAM POWER HANDLING
- FEM OPTIMIZED MOTOR AND SUSPENSIONS
- OPTIMIZED COOLING SYSTEM
- COPPER RING FOR EXTENDED FREQUENCY RESPONSE
- DOUBLE ALUMINIUM DEMODULATING RING
- TRIPLE ROLL SURROUND

GENERAL SPECIFICATIONS

| | | |
|----------------------------------|---|---------------------------------------|
| Nominal diameter | mm (in.) | 380 (15) |
| Nominal impedance | Ω | 8 |
| Minimum impedance | Ω | 7,4 |
| Program power (1) | W | 1700 |
| AES Power rating (2) | W | 850 |
| Sensitivity (3) | dB | 98 |
| Frequency range | Hz | 40 ÷ 3000 |
| Voice coil diameter | mm (in.) | 100 (4) |
| Chassis material | Aluminium | |
| Magnet material | Ferrite | |
| Magnet dimensions OD x ID x h | mm (in.) | 220 x 110 x 25 (8.66 x 4.33x 0.98) |
| Coil material | CCA W | |
| Former material | Glass Fiber | |
| Cone material | Water Resistant Treated Paper + Water Proof Front Side Treatment | |
| Surround material | Polycotton | |
| Xmax (4) | mm (in.) | 5,2 (0.2) |
| Xmech (5) | mm (in.) | 14,1 (0.56) |
| Gap height | mm (in.) | 14,5 (0.57) |
| Voice coil winding height | mm (in.) | 17,7 (0.7) |
| Driver displacement volume | l (ft ³) | 5,20 (0.184) |
| Recommended enclosure | l (ft ³) | 99,6 (3.52) |
| Recommended tuning | Hz | 65 |

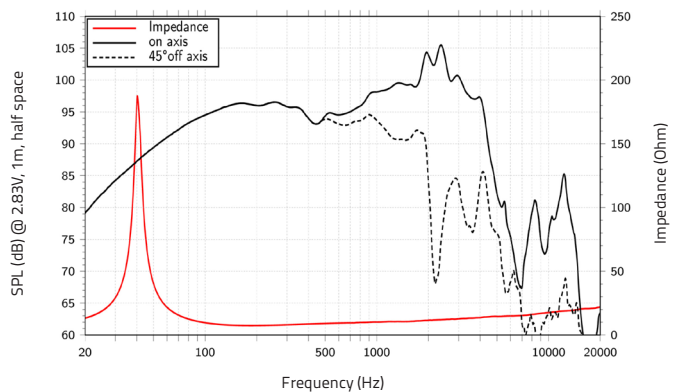
SMALL SIGNAL PARAMETERS

| | | | |
|------------------------------|-------|-------------------------------------|----------------|
| DC resistance | Re | Ohm | 6,0 |
| Resonance frequency | Fs | Hz | 40 |
| Moving mass | Mms | g (oz) | 113,3 (3.99) |
| Compliance | Cms | mm/N | 0,141 |
| Force factor | BxL | N/A | 21,83 |
| Mechanical Q-factor | Qms | | 10,86 |
| Electrical Q-factor | Qes | | 0,36 |
| Total Q-factor | Qts | | 0,35 |
| Equivalent air volume | Vas | l (ft ³) | 155,29 (5.48) |
| Voice coil Inductance | Le | mH | 0,36 |
| Diaphragm area | Sd | cm ² (in. ²) | 881,41 (136.6) |
| Reference efficiency | Eta 0 | % | 2,64 |
| Efficiency bandwidth product | EBP | Hz | 111 |

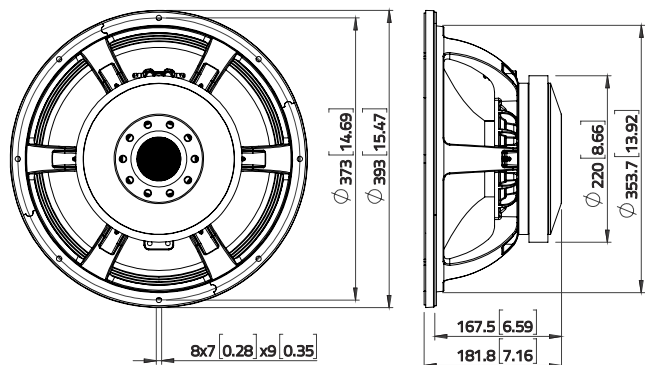
SHIPPING INFORMATION

| | | |
|--------------------|----------|--|
| Net weight | kg (lb.) | 11,3 (24.9) |
| Multipack size (1) | mm (in.) | 455 x 455 x 220 (17.9 x 17.9 x 8.7) |
| Multipack weight | kg (lb.) | 12,6 (27.8) |

FREQUENCY RESPONSE AND IMPEDANCE



DIMENSIONS mm (in.)



(1) Program power is defined as 3 dB greater than AES Power. (2) Tested for two hours using a continuous, band-limited pink noise signal as per AES 2-1984 Rev. 2003. Loudspeaker tested in free air. (3) From T/S parameters, measured with Klippel DA LPM module. (4) The Xmax is calculated as: $(Hvc - Hg)/2 + Hg/4$. Hvc is the voice coil height and Hg the gap height. (5) The Xmech is calculated as: $(Hvc - Hg)/2 + (Hg - 2)$. Hvc is the voice coil height and Hg the gap height. (6) Thiele-Small parameters are measured after preconditioning: a) at 20°C - 22°C, 50% humidity for 2 hours; b) by Klippel LSI measurement.

All specifications subject to change without notice_E.a

