

# DN14.40T

Lavoce

## 1.4" COMPRESSION DRIVER

NEODYMIUM MAGNET

- 4 INCH EDGEWOUND CCA VOICE COIL
- 109 dB/SPL SENSITIVITY
- 260 W PROGRAM POWER HANDLING
- FEM OPTIMIZED MOTOR, PHASEPLUG AND DIAPHRAGM
- 500 - 20000 Hz FREQUENCY RANGE
- TITANIUM DIAPHRAGM
- NEXT GENERATION HF DESIGN
- PATENTED IIS INTEGRAL INPUT SURFACE PHASEPLUG



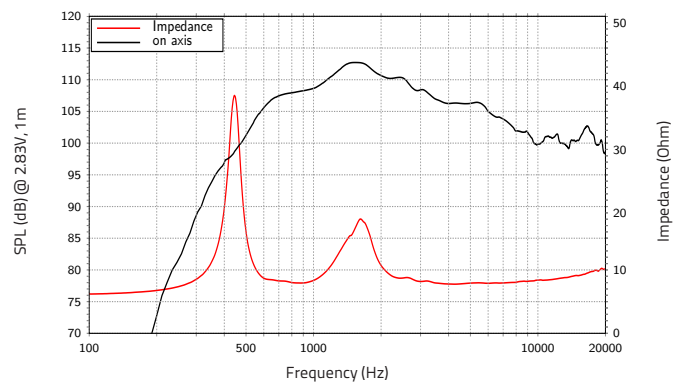
### GENERAL SPECIFICATIONS

Throat diameter	mm (in.)	36 (1.4)
Nominal impedance	$\Omega$	8
Minimum impedance	$\Omega$	8,0
Program power (1)	W	260
AES Power rating (2)	W	130
Sensitivity (3)	dB	109
Frequency range	Hz	500 ÷ 20000
Voice coil diameter	mm (in.)	100 (4)
Magnet material		Neodymium
Magnet OD	mm (in.)	140 (5.5)
Coil material		Edgewound CCA
Former material		Kapton
Diaphragm material		Titanium
Surround material		Titanium
Voice coil Inductance	mH	0,17
Flux density	T	1,9
Recommended crossover (4)	Hz	800
Driver displacement volume	l (ft <sup>3</sup> )	0,7 (0.025)

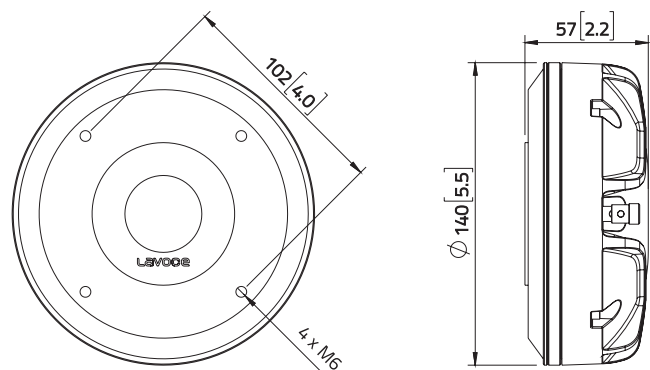
### SHIPPING INFORMATION

Net weight	kg (lb.)	2,0 (4.4)
Multipack size (9)	mm (in.)	570 x 538 x 103 (22.4 x 21.2 x 4)
Multipack weight	kg (lb.)	19,7 (43.4)

### FREQUENCY RESPONSE



### DIMENSIONS mm (in.)



(1) Program power is defined as 3 dB greater than AES Power. (2) Horn loaded test for 2h with continuous, band-limited (800-20000 Hz, 12dB/oct.) pink noise as per AES 2-1984 Rev. 2003. (3) Measured on axis at 2.83V, 1m, driver loaded with HD1403 horn, SPL averaged in the frequency range 500 ÷ 18000 Hz. (4) High pass filter with slope 12dB/oct. or higher.

All specifications subject to change without notice\_E.a

[WWW.LAVOCESPEAKERS.COM](http://WWW.LAVOCESPEAKERS.COM)



Lavoce Italiana

[sales@lavocespeakers.com](mailto:sales@lavocespeakers.com) [sales.cn@lavocespeakers.com](mailto:sales.cn@lavocespeakers.com)