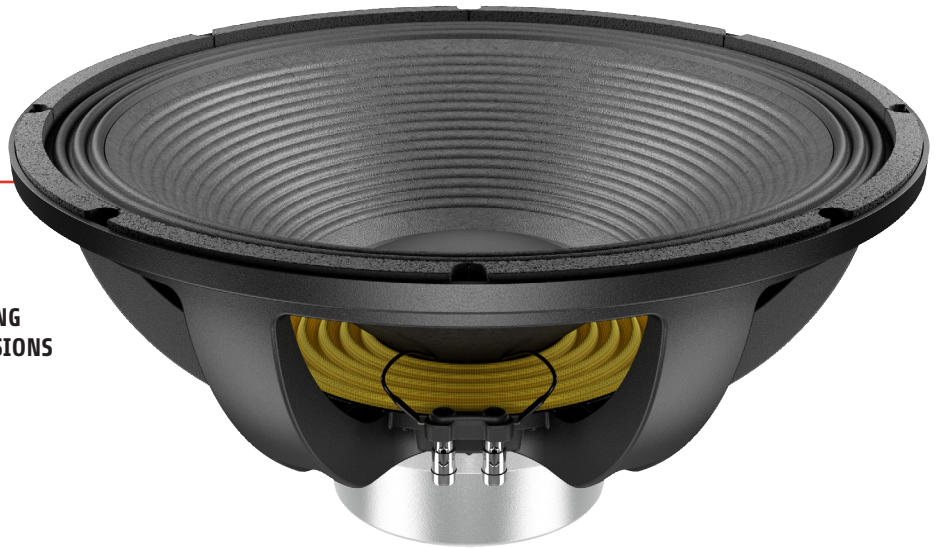


SAN184.02

Lavoce

18" SUBWOOFER

NEODYMIUM MAGNET
ALUMINIUM BASKET DRIVER



- 4 INCH COPPER VOICE COIL
- 96,5 dB/SPL SENSITIVITY
- 2400 WATT PROGRAM POWER HANDLING
- FEM OPTIMIZED MOTOR AND SUSPENSIONS
- OPTIMIZED COOLING SYSTEM
- ALUMINIUM DEMODULATING RING
- DOUBLE SILICON SPIDER
- TRIPLE ROLL SURROUND

GENERAL SPECIFICATIONS

| | | |
|----------------------------------|---|----------------------------------|
| Nominal diameter | mm (in.) | 460 (18) |
| Nominal impedance | Ω | 8 |
| Minimum impedance | Ω | 6,1 |
| Program power (1) | W | 2400 |
| AES Power rating (2) | W | 1200 |
| Sensitivity (3) | dB | 96,5 |
| Frequency range | Hz | 40 ÷ 1000 |
| Voice coil diameter | mm (in.) | 100 (4) |
| Chassis material | Aluminium | |
| Magnet material | Neodymium | |
| Magnet dimensions OD x ID x h | mm (in.) | 97 x 20 x 9 (3.8 x 0.8 x 0.4) |
| Coil material | Copper | |
| Former material | Glass Fiber | |
| Cone material | Water Resistant Treated Paper + Water Proof Both Sides Treatment | |
| Surround material | Polycotton | |
| Xmax (4) | mm (in.) | 9,5 (0.37) |
| Xmech (5) | mm (in.) | 15,8 (0.62) |
| Gap height | mm (in.) | 11 (0.43) |
| Voice coil winding height | mm (in.) | 24,5 (0.96) |
| Driver displacement volume | l (ft ³) | 7,8 (0.28) |
| Recommended enclosure | l (ft ³) | 176,4 (6.94) |
| Recommended tuning | Hz | 42 |

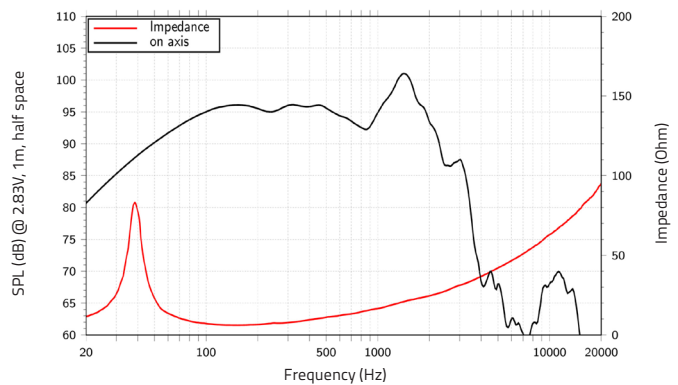
SMALL SIGNAL PARAMETERS

| | | | |
|------------------------------|-------|-------------------------------------|----------------|
| DC resistance | Re | Ohm | 5,3 |
| Resonance frequency | Fs | Hz | 38 |
| Moving mass | Mms | g (oz) | 235,8 (8.32) |
| Compliance | Cms | mm/N | 0,072 |
| Force factor | BxL | N/A | 26,6 |
| Mechanical Q-factor | Qms | | 6,52 |
| Electrical Q-factor | Qes | | 0,43 |
| Total Q-factor | Qts | | 0,40 |
| Equivalent air volume | Vas | l (ft ³) | 153,05 (5.4) |
| Voice coil Inductance | Le | mH | 1,82 |
| Diaphragm area | Sd | cm ² (in. ²) | 1225,4 (189.9) |
| Reference efficiency | Eta 0 | % | 1,99 |
| Efficiency bandwidth product | EBP | Hz | 88 |

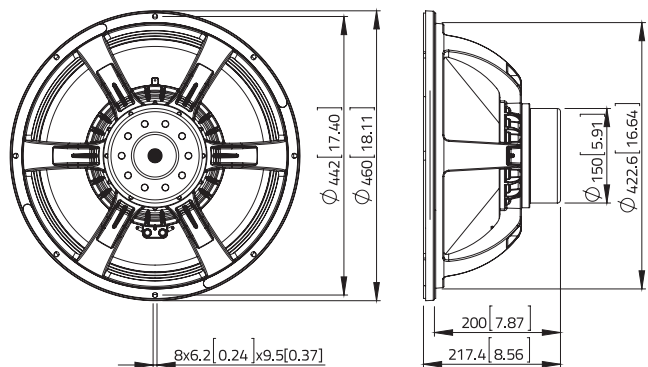
SHIPPING INFORMATION

| | | |
|--------------------|-------------|-------------------------------------|
| Net weight | kg (lb.) | 9 (19.8) |
| Multipack size (1) | mm (in.) | 558 x 558 x 260 (22 x 22 x 10.2) |
| Multipack weight | kg (lb.) | 12,9 (28.3) |

FREQUENCY RESPONSE AND IMPEDANCE



DIMENSIONS mm (in.)



(1) Program power is defined as 3 dB greater than AES Power. (2) Tested for two hours using a continuous, band-limited pink noise signal as per AES 2-1984 Rev. 2003. Loudspeaker tested in free air. (3) From T/S parameters, measured with Klippel DA LPM module. (4) The Xmax is calculated as: $(Hvc - Hg)/2 + Hg/4$. Hvc is the voice coil height and Hg the gap height. (5) The Xmech is calculated as: $(Hvc - Hg)/2 + (Hg - 2)$. Hvc is the voice coil height and Hg the gap height. (6) Thiele-Small parameters are measured after preconditioning: a) at 20°C - 22°C, 50% humidity for 2 hours; b) by Klippel LSI measurement.

All specifications subject to change without notice_E.a

