

WAN102.50

Lavoce

10" WOOFER

NEODYMIUM MAGNET
ALUMINIUM BASKET DRIVER



- 2.5 INCH CCAW VOICE COIL
- 97 dB/SPL SENSITIVITY
- 600 WATT PROGRAM POWER HANDLING
- FEM OPTIMIZED MOTOR AND SUSPENSIONS
- OPTIMIZED COOLING SYSTEM

GENERAL SPECIFICATIONS

Nominal diameter	mm (in.)	250 (10)
Nominal impedance	Ω	8
Minimum impedance	Ω	6,7
Program power (1)	W	600
AES Power rating (2)	W	300
Sensitivity (3)	dB	97
Frequency range	Hz	80 ÷ 4000
Voice coil diameter	mm (in.)	65 (2.5)
Chassis material	Aluminium	
Magnet material	Neodymium	
Magnet dimensions	mm	64 x 8
OD x ID x h	(in.)	(2.52 x 0.31)
Coil material	CCAW	
Former material	Glass Fiber	
Cone material	Water Resistant Treated Paper	
Surround material	Polycotton	
Xmax (4)	mm (in.)	5,1 (0.2)
Xmech (5)	mm (in.)	9,1 (0.36)
Gap height	mm (in.)	8 (0.31)
Voice coil winding height	mm (in.)	14,2 (0.56)
Driver displacement volume	l (ft³)	1,2 (0.04)
Recommended enclosure	l (ft³)	23 (0.81)
Recommended tuning	Hz	80

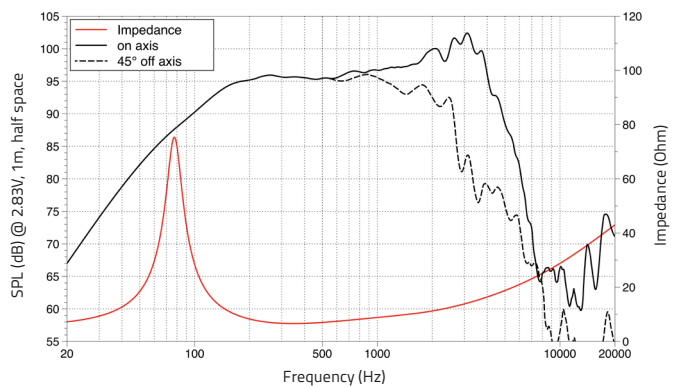
SMALL SIGNAL PARAMETERS

DC resistance	Re	Ohm	5,6
Resonance frequency	Fs	Hz	78
Moving mass	Mms	g (oz)	32,6 (1.15)
Compliance	Cms	mm/N	0,129
Force factor	BxL	N/A	15,3
Mechanical Q-factor	Qms		4,73
Electrical Q-factor	Qes		0,38
Total Q-factor	Qts		0,35
Equivalent air volume	Vas	l (ft³)	21,52 (0.76)
Voice coil Inductance	Le	mH	0,52
Diaphragm area	Sd	cm² (in.²)	343,1 (53.2)
Reference efficiency	Eta 0	%	2,50
Efficiency bandwidth product	EBP	Hz	205

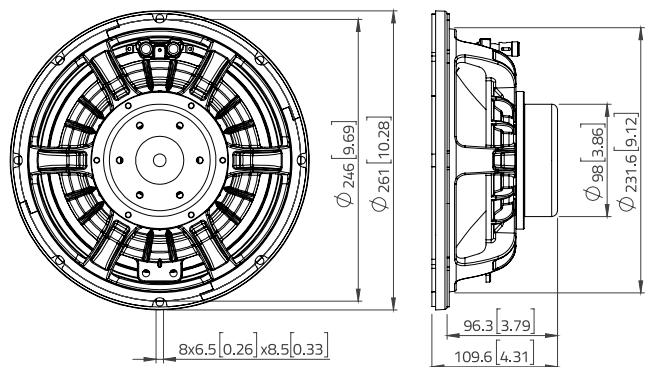
SHIPPING INFORMATION

Net weight	kg (lb.)	2,8 (6.2)
Multipack size (1)	mm	300 x 300 x 148
W x D x H	(in.)	(11.8 x 11.8 x 5.8)
Multipack weight	kg (lb.)	3,7 (8.1)

FREQUENCY RESPONSE AND IMPEDANCE



DIMENSIONS mm (in.)



(1) Program power is defined as 3 dB greater than AES Power. (2) Tested for two hours using a continuous, band-limited pink noise signal as per AES 2-1984 Rev. 2003. Loudspeaker tested in free air. (3) From T/S parameters, measured with Klippel DA LPM module. (4) The Xmax is calculated as: $(Hvc - Hg)/2 + Hg/4$. Hvc is the voice coil height and Hg the gap height. (5) The Xmech is calculated as: $(Hvc - Hg)/2 + (Hg - 2)$. Hvc is the voice coil height and Hg the gap height. (6) Thiele-Small parameters are measured after preconditioning: a) at 20°C - 22°C, 50% humidity for 2 hours; b) by Klippel LSI measurement.

All specifications subject to change without notice_E.a

