

CAN123.00T

Lavoce

12" COAXIAL

NEODYMIUM COMMON HF\LF MAGNET
ALUMINIUM BASKET DRIVER

PRELIMINARY

- 3 INCH LF COPPER VOICE COIL
- 3 INCH HF EDGEWOUND CCA VOICE COIL
- 99 dB/SPL SENSITIVITY
- 700 WATT PROGRAM POWER HANDLING
- FEM OPTIMIZED COMMON MOTOR, PATENTED IIS PHASEPLUG AND DIAPHRAGM
- 45 - 18000 Hz FREQUENCY RANGE
- 80° NOMINAL COVERAGE
- COMPOSITE TITANIUM/POLYIMIDE HF DIAPHRAGM
- DOUBLE ALUMINIUM DEMODULATING RING
- COMPACT AND LIGHTWEIGHT DESIGN



GENERAL SPECIFICATIONS

	LF	HF
LF Nominal diameter / HF Exit	mm (in.)	300 (12) / 36 (1.4)
Nominal impedance	Ω	8 / 8
Minimum impedance	Ω	6,2 / 8
Program power (1)	W	700 / 160
AES Power rating (2)	W	350 / 80
Sensitivity (3)	dB	99,5 / 105,5
Frequency range	Hz	45 ÷ 3500 / 600 ÷ 18000
Voice coil diameter	mm (in.)	75 (3) / 75 (3)
Chassis material	Aluminium	
Magnet material	Neodymium	
Magnet dimensions	mm (in.)	
OD x ID x h	135 x 85 x 10 (5.31 x 3.35 x 0.39)	
Coil material	Copper	Edgewound CCA
Former material	Glass Fiber	Kapton
LF Cone / HF Dome material	WP Treated Paper + WP Front Side	Titanium
Surround material	Polycotton	Polyimide
Flux density	T	1,2 / 1,9
Recommended crossover (4)	Hz	- / 1200
Xmax (5)	mm (in.)	6 (0.24) / -
Xmech (6)	mm (in.)	10 (0.39) / -
Gap height	mm (in.)	8 (0.31) / -
Voice coil winding height	mm (in.)	16 (0.63) / -
Driver displacement volume	l (ft³)	2,7 (0.09) / -
Recommended enclosure	l (ft³)	54 (1.91)
Recommended tuning	Hz	68

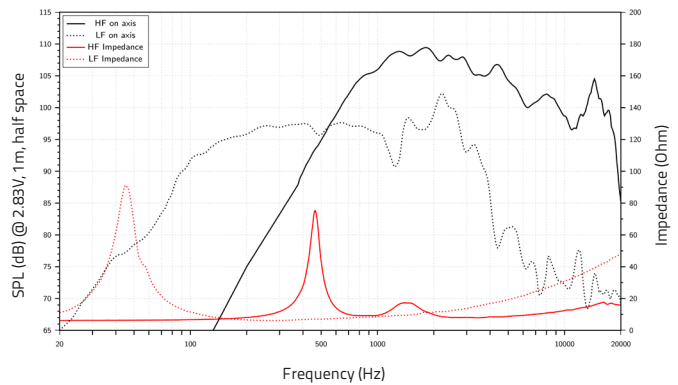
LF SMALL SIGNAL PARAMETERS

DC resistance	Re	Ohm	5,3
Resonance frequency	Fs	Hz	46
Moving mass	Mms	g (oz)	52,5 (1.85)
Compliance	Cms	mm/N	0,23
Force factor	BxL	N/A	18,5
Mechanical Q-factor	Qms		4,0
Electrical Q-factor	Qes		0,23
Total Q-factor	Qts		0,22
Equivalent air volume	Vas	l (ft³)	91,0 (3.21)
Voice coil Inductance	Le	mH	0,50
Diaphragm area	Sd	cm² (in.²)	531 (82.31)
Reference efficiency	Eta 0	%	3,6
Efficiency bandwidth product	EBP	Hz	200

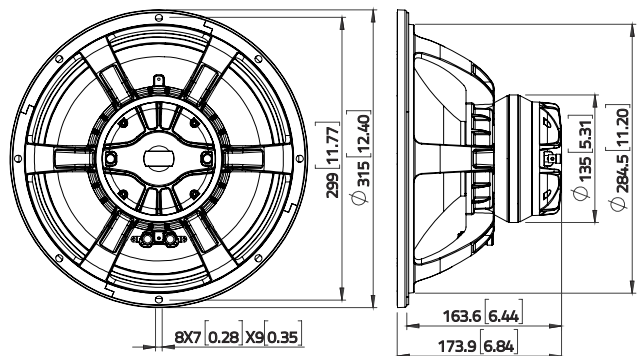
SHIPPING INFORMATION

Net weight	kg (lb.)	4,8 (10.6)
Multipack size (1)	mm	353 x 339 x 220
W x D x H	(in.)	(13.9 x 13.3 x 8.7)
Multipack weight	kg (lb.)	5,9 (13.0)

FREQUENCY RESPONSE AND IMPEDANCE



DIMENSIONS mm (in.)



(1) Program power is defined as 3 dB greater than AES Power.

(2) Tested in free air for two hours using a continuous:

LF: band-limited pink noise signal as per AES 2-1984 Rev. 2003.

HF: band-limited (1000-20000 Hz, 12dB/oct.) pink noise signal as per AES 2-1984 Rev. 2003.

(3) LF: From T/S parameters, measured with Klippel DA LPM module.

HF: Measured on axis at 2.83V, 1m, SPL averaged in the frequency range 600 - 18000 Hz.

(4) High pass filter with slope 12dB/oct. or higher.

(5) The Xmax is calculated as: $(Hvc - Hg)/2 + Hg/4$. Hvc is the voice coil height and Hg the gap height.

(6) The Xmech is calculated as: $(Hvc - Hg)/2 + (Hg - 2)$. Hvc is the voice coil height and Hg the gap height.

(7) Thiele-Small parameters are measured after preconditioning: a) at 20°C - 22°C, 50% humidity for 2 hours; b) by Klippel LSI measurement.

All specifications subject to change without notice. E.a

WWW.LAVOCESPEAKERS.COM



Lavoce Italiana

sales@lavocespeakers.com sales.cn@lavocespeakers.com