

# CAN123.00TH

Lavoce

## 12" COAXIAL

NEODYMIUM COMMON HF\LF MAGNET  
ALUMINIUM BASKET DRIVER

### PRELIMINARY

- 3 INCH LF COPPER VOICE COIL
- 3 INCH HF EDGEWOUND CCA VOICE COIL
- 99 dB/SPL SENSITIVITY
- 700 WATT PROGRAM POWER HANDLING
- FEM OPTIMIZED COMMON MOTOR, PATENTED IIS PHASEPLUG AND DIAPHRAGM
- 45 - 18000 Hz FREQUENCY RANGE
- 60°x40° NOMINAL COVERAGE
- COMPOSITE TITANIUM/POLYIMIDE HF DIAPHRAGM
- DOUBLE ALUMINIUM DEMODULATING RING
- COMPACT AND LIGHTWEIGHT DESIGN



### GENERAL SPECIFICATIONS

	LF	HF
LF Nominal diameter / HF Exit	mm (in.) 300 (12)	36 (1.4)
Nominal impedance	Ω 8	8
Minimum impedance	Ω 6,2	8
Program power (1)	W 700	160
AES Power rating (2)	W 350	80
Sensitivity (3)	dB 99,5	105
Frequency range	Hz 45 ÷ 3500	600 ÷ 18000
Voice coil diameter	mm (in.) 75 (3)	75 (3)
Chassis material	Aluminium	
Magnet material	Neodymium	
Magnet dimensions	mm 135 x 85 x 10	
OD x ID x h	(in.) (5.31 x 3.35 x 0.39)	
Coil material	Copper	Edgewound CCA
Former material	Glass Fiber	Kapton
LF Cone / HF Dome material	WP Treated Paper + WP Front Side	Titanium
Surround material	Polycotton	Polyimide
Flux density	T 1,2	1,9
Recommended crossover (4)	Hz -	1200
Xmax (5)	mm (in.) 6 (0.24)	-
Xmech (6)	mm (in.) 10 (0.39)	-
Gap height	mm (in.) 8 (0.31)	-
Voice coil winding height	mm (in.) 16 (0.63)	-
Driver displacement volume	l (ft³) 2,7 (0.09)	-
Recommended enclosure	l (ft³) 54 (1.91)	-
Recommended tuning	Hz 66	-

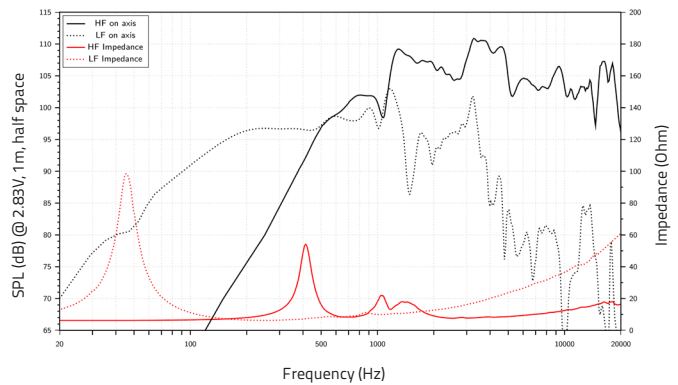
### LF SMALL SIGNAL PARAMETERS

DC resistance	Re	Ohm	5,3
Resonance frequency	Fs	Hz	46
Moving mass	Mms	g (oz)	52,5 (1.85)
Compliance	Cms	mm/N	0,23
Force factor	BxL	N/A	18,5
Mechanical Q-factor	Qms		4,0
Electrical Q-factor	Qes		0,23
Total Q-factor	Qts		0,22
Equivalent air volume	Vas	l (ft³)	91,0 (3.21)
Voice coil Inductance	Le	mH	0,50
Diaphragm area	Sd	cm² (in.²)	531 (82.31)
Reference efficiency	Eta 0	%	3,6
Efficiency bandwidth product	EBP	Hz	200

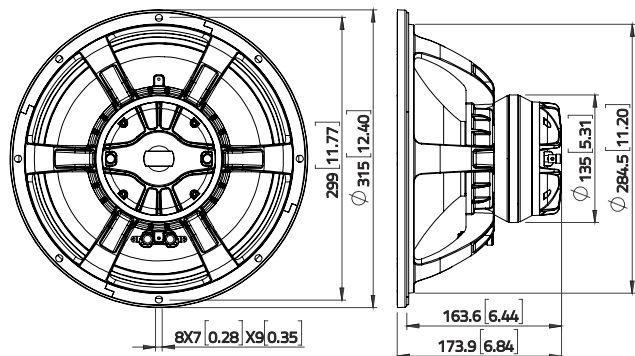
### SHIPPING INFORMATION

Net weight	kg (lb.)	4,9 (10.8)
Multipack size (1)	mm	353 x 339 x 220
W x D x H	(in.)	(13.9 x 13.3 x 8.7)
Multipack weight	kg (lb.)	6,0 (13.2)

### FREQUENCY RESPONSE AND IMPEDANCE



### DIMENSIONS mm (in.)



(1) Program power is defined as 3 dB greater than AES Power.

(2) Tested in free air for two hours using a continuous:

LF: band-limited pink noise signal as per AES 2-1984 Rev. 2003.

HF: band-limited (1000-20000 Hz, 12dB/oct.) pink noise signal as per AES 2-1984 Rev. 2003.

(3) LF: From T/S parameters, measured with Klippel DA LPM module.

HF: Measured on axis at 2.83V, 1m, SPL averaged in the frequency range 600 - 18000 Hz.

(4) High pass filter with slope 12dB/oct. or higher.

(5) The Xmax is calculated as:  $(Hvc - Hg) / 2 + Hg / 4$ . Hvc is the voice coil height and Hg the gap height.

(6) The Xmech is calculated as:  $(Hvc - Hg) / 2 + (Hg - 2)$ . Hvc is the voice coil height and Hg the gap height.

(7) Thiele-Small parameters are measured after preconditioning: a) at 20°C - 22°C, 50% humidity for 2 hours; b) by Klippel LSI measurement.

All specifications subject to change without notice. E.a

WWW.LAVOCESPEAKERS.COM



Lavoce Italiana

sales@lavocespeakers.com sales.cn@lavocespeakers.com