

WSN041.00

Lavoce

4" WOOFER

NEODYMIUM MAGNET
STEEL BASKET DRIVER



- 1 INCH COPPER VOICE COIL
- 91 dB/SPL SENSITIVITY
- 80 WATT PROGRAM POWER HANDLING
- FEM OPTIMIZED MOTOR AND SUSPENSIONS
- RESONANCE FREE AND HEAVY DUTY BASKET DESIGN
- RUBBER SURROUND MATERIAL

GENERAL SPECIFICATIONS

Nominal diameter	mm (in.)	100 (4)
Nominal impedance	Ω	8
Minimum impedance	Ω	6,5
Program power (1)	W	80
AES Power rating (2)	W	40
Sensitivity (3)	dB	91
Frequency range	Hz	100 ÷ 12000
Voice coil diameter	mm (in.)	25 (1)
Chassis material		Steel
Magnet material		Neodymium
Magnet dimensions	mm (in.)	65 x 32 x 4 (2.56 x 1.26 x 0.16)
Coil material		Copper
Former material		Polyimide
Cone material		Water Resistant Treated Paper
Surround material		Rubber
Xmax (4)	mm (in.)	4 (0.16)
Xmech (5)	mm (in.)	5,8 (0.23)
Gap height	mm (in.)	5 (0.2)
Voice coil winding height	mm (in.)	10,5 (0.41)
Driver displacement volume	l (ft ³)	0,125 (0.004)
Recommended enclosure	l (ft ³)	2 (0.071)
Recommended tuning	Hz	165

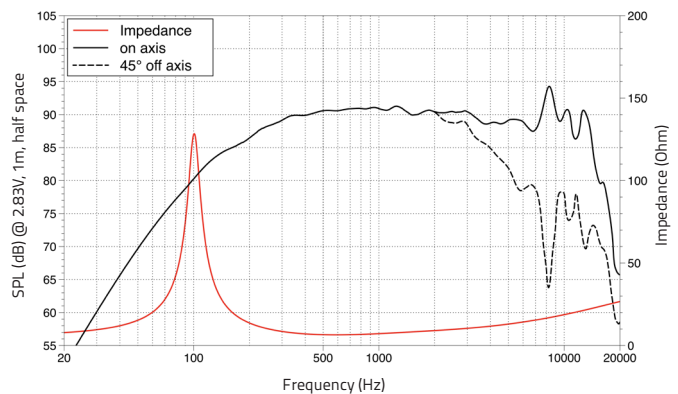
SMALL SIGNAL PARAMETERS

DC resistance	Re	Ohm	5,6
Resonance frequency	Fs	Hz	104
Moving mass	Mms	g (oz)	5,9 (0.21)
Compliance	Cms	mm/N	0,403
Force factor	BxL	N/A	8,3
Mechanical Q-factor	Qms		7,06
Electrical Q-factor	Qes		0,32
Total Q-factor	Qts		0,30
Equivalent air volume	Vas	l (ft ³)	1,67 (0.059)
Voice coil Inductance	Le	mH	0,28
Diaphragm area	Sd	cm ² (in. ²)	54,1 (8.39)
Reference efficiency	Eta 0	%	0,57
Efficiency bandwidth product	EBP	Hz	325

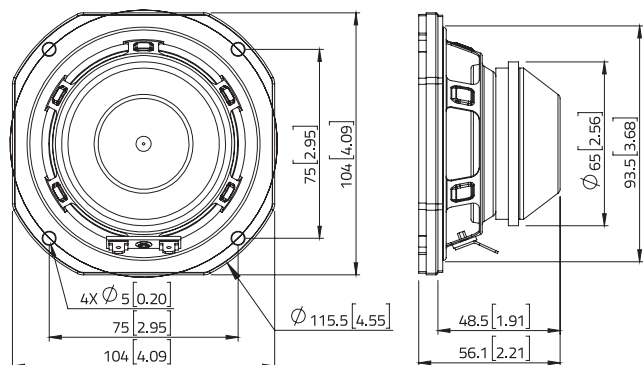
SHIPPING INFORMATION

Net weight	kg (lb.)	0,5 (1.1)
Multipack size (18)	mm (in.)	385 x 340 x 149 (15.2 x 13.4 x 5.9)
Multipack weight	kg (lb.)	11 (24.3)

FREQUENCY RESPONSE AND IMPEDANCE



DIMENSIONS mm (in.)



(1) Program power is defined as 3 dB greater than AES Power. (2) Tested for two hours using a continuous, band-limited pink noise signal as per AES 2-1984 Rev. 2003. Loudspeaker tested in free air. (3) From T/S parameters, measured with Klippel DA LPM module. (4) The Xmax is calculated as: $(Hvc - Hg)/2 + Hg/4$. Hvc is the voice coil height and Hg the gap height. (5) The Xmech is calculated as: $(Hvc - Hg)/2 + (Hg - 2)$. Hvc is the voice coil height and Hg the gap height. (6) Thiele-Small parameters are measured after preconditioning: a) at 20°C - 22°C, 50% humidity for 2 hours; b) by Klippel LSI measurement.

All specifications subject to change without notice_E.a

