

WSN122.50

Lavoce

12" WOOFER

NEODYMIUM MAGNET
STEEL BASKET DRIVER

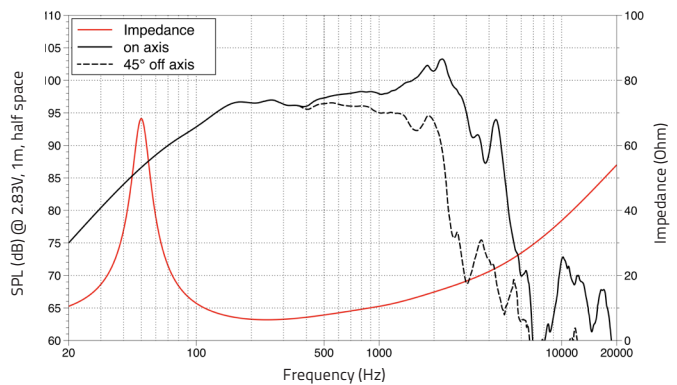


- 2.5 INCH COPPER VOICE COIL
- 97,5 dB/SPL SENSITIVITY
- 500 WATT PROGRAM POWER HANDLING
- FEM OPTIMIZED MOTOR AND SUSPENSIONS
- OPTIMIZED COOLING SYSTEM
- RESONANCE FREE AND HEAVY DUTY BASKET DESIGN

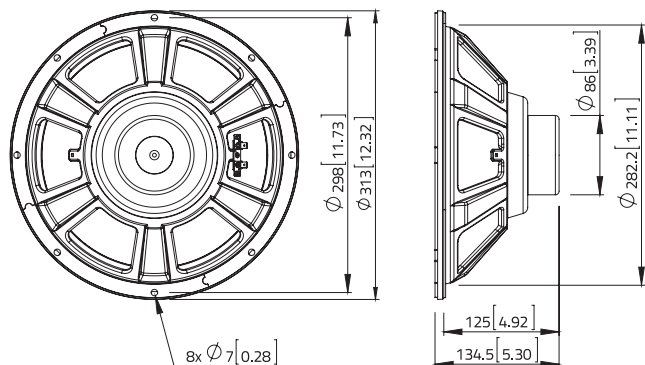
GENERAL SPECIFICATIONS

Nominal diameter	mm (in.)	300 (12)
Nominal impedance	Ω	8
Minimum impedance	Ω	6,3
Program power (1)	W	500
AES Power rating (2)	W	250
Sensitivity (3)	dB	97,5
Frequency range	Hz	50 ÷ 3000
Voice coil diameter	mm (in.)	65 (2.5)
Chassis material		Steel
Magnet material		Neodymium
Magnet dimensions OD x ID x h	mm (in.)	64 x 8 (2.52 x 0.31)
Coil material		Copper
Former material		Glass Fiber
Cone material		Water Resistant Treated Paper + Water Proof Front Side Treatment
Surround material		Polycotton
Xmax (4)	mm (in.)	4,7 (0.19)
Xmech (5)	mm (in.)	8,8 (0.35)
Gap height	mm (in.)	8,2 (0.32)
Voice coil winding height	mm (in.)	13,4 (0.53)
Driver displacement volume	l (ft ³)	1,6 (0.06)
Recommended enclosure	l (ft ³)	39,6 (1.4)
Recommended tuning	Hz	55

FREQUENCY RESPONSE AND IMPEDANCE



DIMENSIONS mm (in.)



SMALL SIGNAL PARAMETERS

DC resistance	Re	Ohm	5,7
Resonance frequency	Fs	Hz	53
Moving mass	Mms	g (oz)	38,52 (1.36)
Compliance	Cms	mm/N	0,174
Force factor	BxL	N/A	15,85
Mechanical Q-factor	Qms		4,31
Electrical Q-factor	Qes		0,39
Total Q-factor	Qts		0,36
Equivalent air volume	Vas	l (ft ³)	69,42 (2.45)
Voice coil Inductance	Le	mH	0,77
Diaphragm area	Sd	cm ² (in. ²)	530,9 (82.3)
Reference efficiency	Eta 0	%	2,49
Efficiency bandwidth product	EBP	Hz	136

SHIPPING INFORMATION

Net weight	kg (lb.)	2,1 (4.6)
Multipack size (1)	mm	364 x 364 x 186
W x D x H	(in.)	(14.3 x 14.3 x 7.3)
Multipack weight	kg (lb.)	3,4 (7.6)

(1) Program power is defined as 3 dB greater than AES Power. (2) Tested for two hours using a continuous, band-limited pink noise signal as per AES 2-1984 Rev. 2003. Loudspeaker tested in free air. (3) From T/S parameters, measured with Klippel DA LPM module. (4) The Xmax is calculated as: $(Hvc - Hg)/2 + Hg/4$. Hvc is the voice coil height and Hg the gap height. (5) The Xmech is calculated as: $(Hvc - Hg)/2 + (Hg - 2)$. Hvc is the voice coil height and Hg the gap height. (6) Thiele-Small parameters are measured after preconditioning: a) at 20°C - 22°C, 50% humidity for 2 hours; b) by Klippel LSI measurement.

All specifications subject to change without notice_E.a

WWW.LAVOCESPEAKERS.COM



Lavoce Italiana

sales@lavocespeakers.com sales.cn@lavocespeakers.com