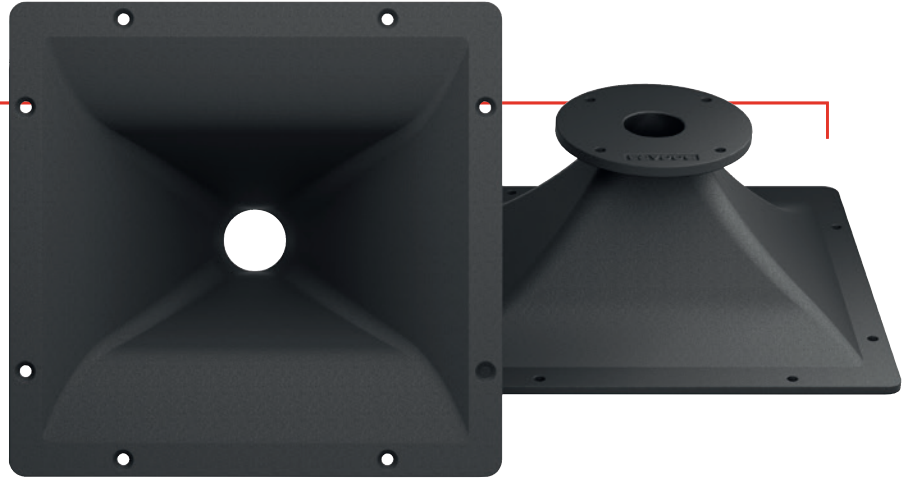


HD1403

Lavoce

1,4" THROAT ENTRY HORN

- 80° x 60° NOMINAL COVERAGE
- CUT-OFF FREQUENCY 900HZ
- ALUMINIUM CONSTRUCTION TO ENSURE HIGH MECHANICAL STRENGTH AND HEAT DISSIPATION
- FEM OPTIMIZED FOR CONSTANT DIRECTIVITY



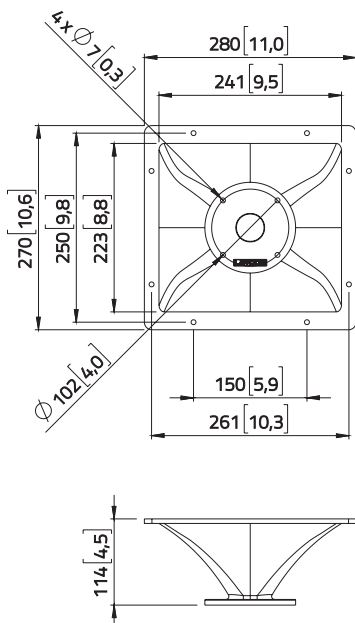
GENERAL SPECIFICATIONS

Throat diameter	mm (in.)	36 (1,4)
Horizontal nominal coverage	°	80
Vertical nominal coverage	°	60
Cutoff Frequency	Hz	900
Material	Aluminium	

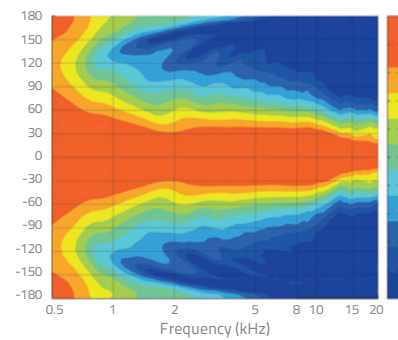
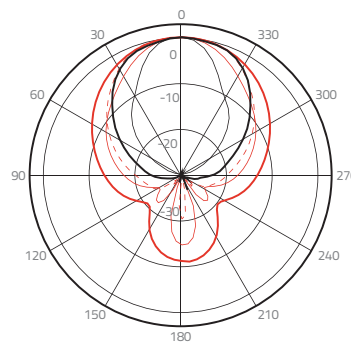
SHIPPING INFORMATION

Net weight	kg (lb.)	1,5 (3.3)
Multipack size (1)	mm	290 x 280 x 131
W x D x H	(in.)	(11.4 x 11 x 5.2)
Multipack weight	kg (lb.)	1,8 (3.9)

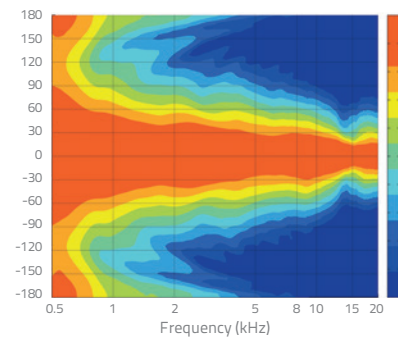
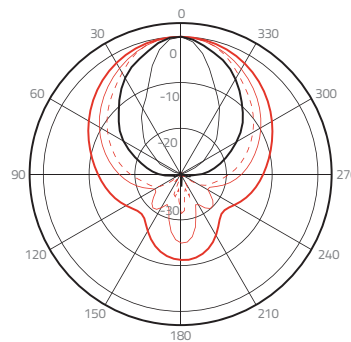
DIMENSIONS mm (in.)



HORIZONTAL ANGLE*



VERTICAL ANGLE*



* Horn measured using LAVOCE DN14.30T compression driver

All specifications subject to change without notice_E.a

1 kHz 2 kHz 4 kHz 8 kHz 16 kHz

WWW.LAVOCESPEAKERS.COM



Lavoce Italiana

sales@lavocespeakers.com sales.cn@lavocespeakers.com