

DN07.10LM

Lavoce

0,75" COMPRESSION DRIVER

NEODYMIUM MAGNET

- 1 INCH CCAW VOICE COIL
- 109 dB/SPL SENSITIVITY
- 20 W PROGRAM POWER HANDLING
- FEM OPTIMIZED MOTOR, PHASEPLUG AND DIAPHRAGM
- 2000 - 18000 Hz FREQUENCY RANGE
- POLYESTER DIAPHRAGM
- NEXT GENERATION HF DESIGN
- ALTERNATIVE IMPEDANCE: 16 OHM



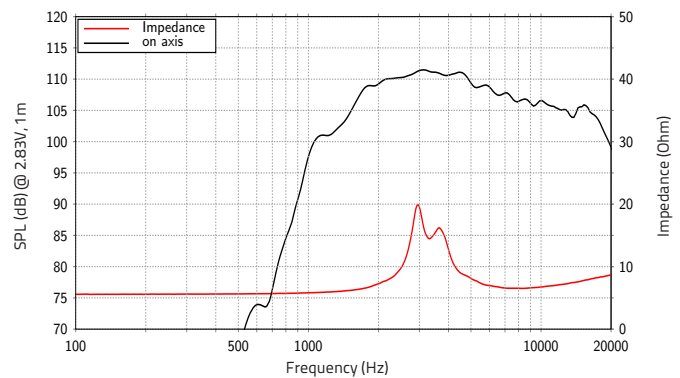
GENERAL SPECIFICATIONS

Throat diameter	mm (in.)	19 (0.75)
Nominal impedance	Ω	8
Minimum impedance	Ω	6,8
Program power (1)	W	20
AES Power rating (2)	W	10
Sensitivity (3)	dB	109
Frequency range	Hz	2000 ÷ 18000
Voice coil diameter	mm (in.)	25,4 (1)
Magnet material		Neodymium
Magnet OD	mm (in.)	46 (1.8)
Coil material		CCA W
Former material		Kapton
Diaphragm material		Polyester
Surround material		Polyester
Voice coil Inductance	mH	0,04
Flux density	T	1,65
Recommended crossover (4)	Hz	2500
Driver displacement volume	l (ft ³)	0,04 (0.001)

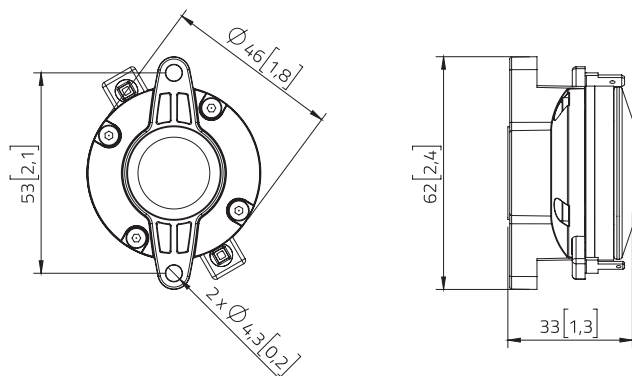
SHIPPING INFORMATION

Net weight	kg (lb.)	0,15 (0.33)
Multipack size (18)	mm	260 x 245 x 130
W x D x H	(in.)	(10.2 x 9.6 x 5.1)
Multipack weight	kg (lb.)	3,6 (7.9)

FREQUENCY RESPONSE



DIMENSIONS mm (in.)



(1) Program power is defined as 3 dB greater than AES Power. (2) Horn loaded test for 2h with continuous, band-limited (2500-20000 Hz, 12dB/oct.) pink noise as per AES 2-1984 Rev. 2003. (3) Measured on axis at 2.83V, 1m, driver loaded with 60° x 40° horn, SPL averaged in the frequency range 2000 ÷ 18000 Hz. (4) High pass filter with slope 12dB/oct. or higher.

All specifications subject to change without notice_H.a

WWW.LAVOCESPEAKERS.COM



Lavoce Italiana

sales@lavocespeakers.com sales.cn@lavocespeakers.com