

DN14.300TK

Lavoce

1.4" COMPRESSION DRIVER

NEODYMIUM MAGNET

- 3 INCH EDGEWOUND CCA VOICE COIL
- 109 dB/SPL SENSITIVITY
- 220 W PROGRAM POWER HANDLING
- FEM OPTIMIZED MOTOR, PHASEPLUG AND DIAPHRAGM
- 500 - 20000 Hz FREQUENCY RANGE
- TITANIUM DIAPHRAGM AND POLYIMIDE SURROUND
- PATENTED IIS INTEGRAL INPUT SURFACE PHASEPLUG



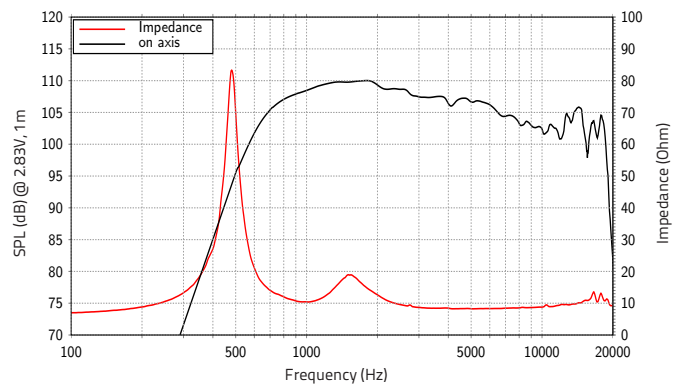
GENERAL SPECIFICATIONS

Throat diameter	mm (in.)	36 (1.4)
Nominal impedance	Ω	8
Minimum impedance	Ω	8
Program power (1)	W	220
AES Power rating (2)	W	110
Sensitivity (3)	dB	109
Frequency range	Hz	500 ÷ 20000
Voice coil diameter	mm (in.)	75 (3)
Magnet material	Neodymium	
Magnet OD	mm (in.)	130 (5.1)
Coil material	Edgewound CCA	
Former material	Kapton	
Diaphragm material	Titanium	
Surround material	Polyimide	
Voice coil Inductance	mH	0,09
Flux density	T	2,1
Recommended crossover (4)	Hz	1200
Driver displacement volume	l (ft ³)	0,5 (0.018)

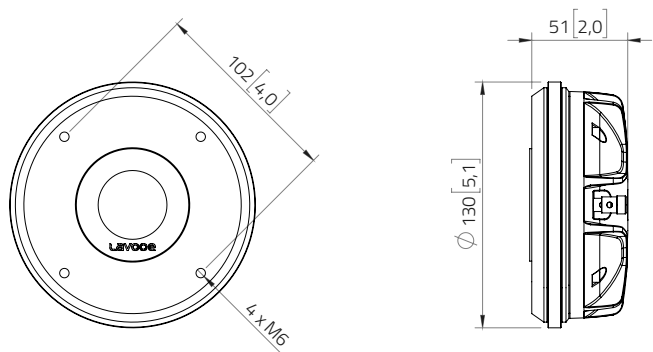
SHIPPING INFORMATION

Net weight	kg (lb.)	2 (4.4)
Multipack size (8)	mm	345 x 315 x 162
W x D x H	(in.)	(13.6 x 12.4 x 6.4)
Multipack weight	kg (lb.)	17,5 (38.6)

FREQUENCY RESPONSE



DIMENSIONS mm (in.)



(1) Program power is defined as 3 dB greater than AES Power. (2) Horn loaded test for 2h with continuous, band-limited (1200-20000 Hz, 12dB/oct.) pink noise as per AES 2-1984 Rev. 2003. (3) Measured on axis at 2.83V, 1m, driver loaded with HD1403 horn, SPL averaged in the frequency range 800 ÷ 20000 Hz. (4) High pass filter with slope 12dB/oct. or higher.

All specifications subject to change without notice_H.a

WWW.LAVOCESPEAKERS.COM



Lavoce Italiana

sales@lavocespeakers.com sales.cn@lavocespeakers.com