

DF10.101LE

Lavoce

1" COMPRESSION DRIVER

FERRITE MAGNET

- 1 INCH CCAW VOICE COIL
- 106 dB/SPL SENSITIVITY
- 30 W PROGRAM POWER HANDLING
- FEM OPTIMIZED MOTOR, PHASEPLUG AND DIAPHRAGM
- 1500 - 20000 Hz FREQUENCY RANGE
- HIGH TEMPERATURE POLYMER DIAPHRAGM AND SURROUND
- COMPACT SIZE 70 mm DIAMETER



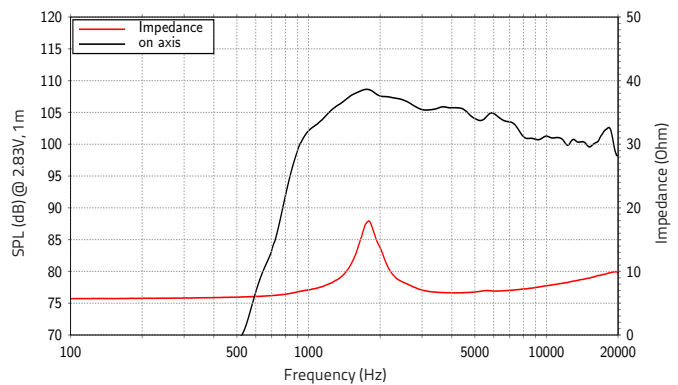
GENERAL SPECIFICATIONS

Throat diameter	mm (in.)	25,4 (1)
Nominal impedance	Ω	8
Minimum impedance	Ω	6
Program power (1)	W	30
AES Power rating (2)	W	15
Sensitivity (3)	dB	106
Frequency range	Hz	1500 ÷ 20000
Voice coil diameter	mm (in.)	25,4 (1)
Magnet material	Ferrite	
Magnet OD	mm (in.)	70 (2.8)
Coil material	CCA W	
Former material	Kapton	
Diaphragm material	High Temperature Polymer	
Surround material	High Temperature Polymer	
Voice coil Inductance	mH	0,09
Flux density	T	1,35
Recommended crossover (4)	Hz	2000
Driver displacement volume	l (ft ³)	0,1 (0.0035)

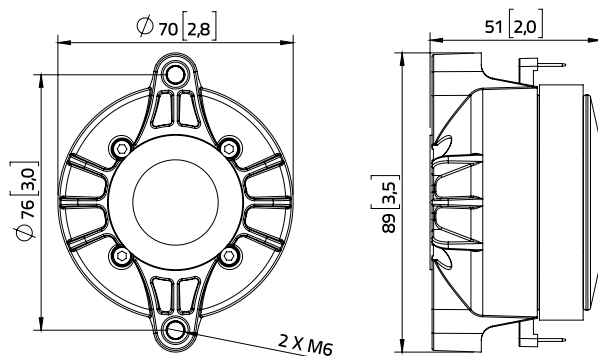
SHIPPING INFORMATION

Net weight	kg (lb.)	0,47 (1.04)
Multipack size (24)	mm (in.)	460 x 267 x 158 (18.1 x 10.5 x 6.2)
Multipack weight	kg (lb.)	12,9 (28.4)

FREQUENCY RESPONSE



DIMENSIONS mm (in.)



(1) Program power is defined as 3 dB greater than AES Power. (2) Horn loaded test for 2h with continuous, band-limited (2000-20000 Hz, 12dB/oct.) pink noise as per AES 2-1984 Rev. 2003. (3) Measured on axis at 2.83V, 1m, driver loaded with HD1003 horn, SPL averaged in the frequency range 1500 ÷ 20000 Hz. (4) High pass filter with slope 12dB/oct. or higher.

All specifications subject to change without notice_H.a

WWW.LAVOCESPEAKERS.COM



Lavoce Italiana

sales@lavocespeakers.com sales.cn@lavocespeakers.com