

DF10.101L

Lavoce

1" COMPRESSION DRIVER

FERRITE MAGNET

- 1 INCH CCAW VOICE COIL
- 107 dB/SPL SENSITIVITY
- 40 W PROGRAM POWER HANDLING
- FEM OPTIMIZED MOTOR, PHASEPLUG AND DIAPHRAGM
- 1500 - 18000 Hz FREQUENCY RANGE
- HIGH TEMPERATURE POLYMERIC DIAPHRAGM



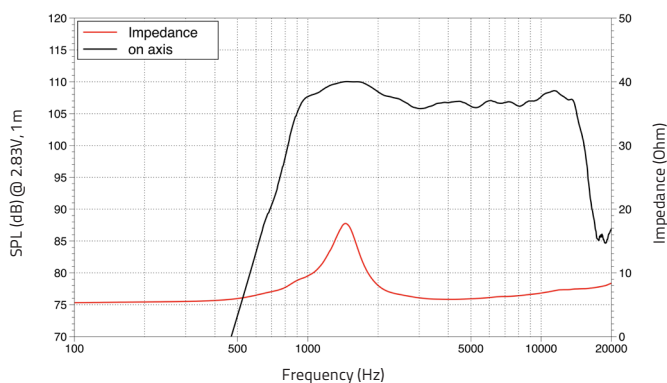
GENERAL SPECIFICATIONS

| | | |
|----------------------------|--------------------------|--------------|
| Throat diameter | mm (in.) | 25,4 (1) |
| Nominal impedance | Ω | 8 |
| Minimum impedance | Ω | 6,0 |
| Program power (1) | W | 40 |
| AES Power rating (2) | W | 20 |
| Sensitivity (3) | dB | 107 |
| Frequency range | Hz | 1500 ÷ 18000 |
| Voice coil diameter | mm (in.) | 25,4 (1) |
| Magnet material | Ferrite | |
| Magnet OD | mm (in.) | 85 (3.3) |
| Coil material | CCA W | |
| Former material | Kapton | |
| Diaphragm material | High temperature polymer | |
| Surround material | High temperature polymer | |
| Voice coil Inductance | mH | 0,03 |
| Flux density | T | 1,5 |
| Recommended crossover (4) | Hz | 2500 |
| Driver displacement volume | l (ft ³) | 0,2 (0.007) |

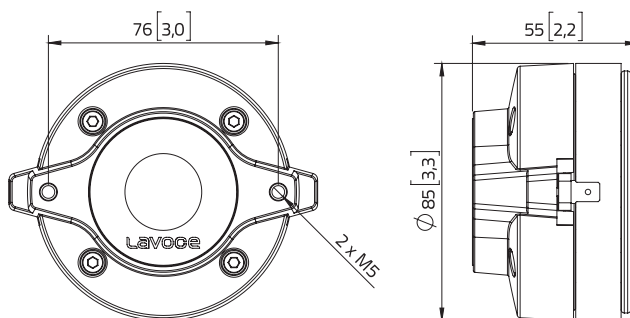
SHIPPING INFORMATION

| | | |
|---------------------|----------|-------------------------------------|
| Net weight | kg (lb.) | 0,8 (1.7) |
| Multipack size (12) | mm (in.) | 510 x 425 x 100 (20.1 x 16.7 x 3.9) |
| Multipack weight | kg (lb.) | 11,5 (25.2) |

FREQUENCY RESPONSE



DIMENSIONS mm (in.)



(1) Program power is defined as 3 dB greater than AES Power. (2) Tested for two hours using a continuous, band-limited (2500-20000 Hz, 12dB/oct.) pink noise signal as per AES 2-1984 Rev. 2003. (3) Driver mounted on HD1003 horn. (4) Measured on axis at 2.83V, 1m, SPL averaged in the frequency range 1500 ÷ 18000 Hz. (5) High pass filter with slope 12dB/oct. or higher.

All specifications subject to change without notice_H.a

