

DF10.171M

Lavoce

1" COMPRESSION DRIVER

FERRITE MAGNET

- 1.7 INCH EDGEWOUND CCA VOICE COIL
- 106,5 dB/SPL SENSITIVITY
- 90 W PROGRAM POWER HANDLING
- FEM OPTIMIZED MOTOR, PHASEPLUG AND DIAPHRAGM
- 1200 - 20000 Hz FREQUENCY RANGE
- POLYESTER DIAPHRAGM



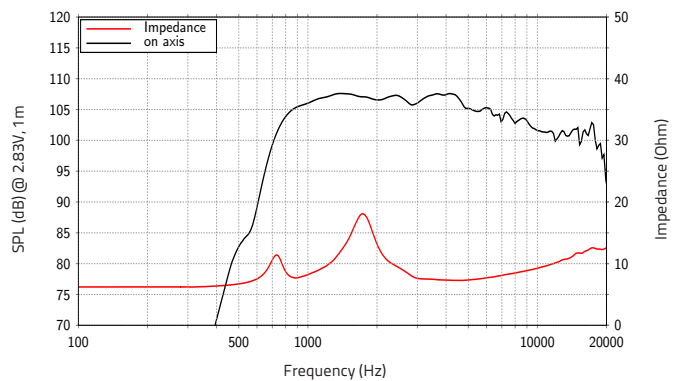
GENERAL SPECIFICATIONS

Throat diameter	mm (in.)	25,4 (1)
Nominal impedance	Ω	8
Minimum impedance	Ω	7,6
Program power (1)	W	90
AES Power rating (2)	W	45
Sensitivity (3)	dB	106,5
Frequency range	Hz	1200 ÷ 20000
Voice coil diameter	mm (in.)	44,4 (1.7)
Magnet material	Ferrite	
Magnet OD	mm (in.)	100 (3.94)
Coil material	Edgewound CCA	
Former material	Kapton	
Diaphragm material	Polyester	
Surround material	Polyester	
Voice coil Inductance	mH	0,08
Flux density	T	1,55
Recommended crossover (4)	Hz	2000
Driver displacement volume	l (ft ³)	0,3 (0.01)

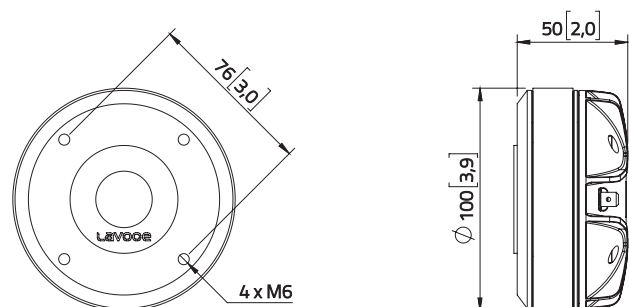
SHIPPING INFORMATION

Net weight	kg (lb.)	1,4 (3.1)
Multipack size (9)	mm	455 x 425 x 106
W x D x H	(in.)	(17.9 x 16.7 x 4.2)
Multipack weight	kg (lb.)	14,5 (32)

FREQUENCY RESPONSE



DIMENSIONS mm (in.)



(1) Program power is defined as 3 dB greater than AES Power. (2) Horn loaded test for 2h with continuous, band-limited (2000-20000 Hz, 12dB/oct.) pink noise as per AES 2-1984 Rev. 2003. (3) Measured on axis at 2.83V, 1m, driver loaded with HD1003 horn, SPL averaged in the frequency range 1000 ÷ 20000 Hz. (4) High pass filter with slope 12dB/oct. or higher.

All specifications subject to change without notice_H.a

