

WAN154.01

Lavoce

15" SUBWOOFER

NEODYMIUM MAGNET
ALUMINIUM BASKET DRIVER



- 4 INCH COPPER VOICE COIL
- 97,5 dB/SPL SENSITIVITY
- 2000 WATT PROGRAM POWER HANDLING
- FEM OPTIMIZED MOTOR AND SUSPENSIONS
- OPTIMIZED COOLING SYSTEM
- DOUBLE SILICON SPIDER
- ALUMINIUM DEMODULATING RING
- TRIPLE ROLL SURROUND

GENERAL SPECIFICATIONS

| | | |
|----------------------------------|---|-------------------------------------|
| Nominal diameter | mm (in.) | 380 (15) |
| Nominal impedance | Ω | 8 |
| Minimum impedance | Ω | 6,3 |
| Program power (1) | W | 2000 |
| AES Power rating (2) | W | 1000 |
| Sensitivity (3) | dB | 97,5 |
| Frequency range | Hz | 45 ÷ 1000 |
| Voice coil diameter | mm (in.) | 100 (4) |
| Chassis material | Aluminium | |
| Magnet material | Neodymium | |
| Magnet dimensions OD x ID x h | mm (in.) | 97 x 31 x 9 (3.82 x 1.22 x 0.35) |
| Coil material | Copper | |
| Former material | Glass Fiber | |
| Cone material | Water Resistant Treated Paper + Water Proof Front Side Treatment | |
| Surround material | Polycotton | |
| Xmax (4) | mm (in.) | 8,6 (0.34) |
| Xmech (5) | mm (in.) | 17,1 (0.67) |
| Gap height | mm (in.) | 14 (0.55) |
| Voice coil winding height | mm (in.) | 24,2 (0.95) |
| Driver displacement volume | l (ft ³) | 4,4 (0.16) |
| Recommended enclosure | l (ft ³) | 136,1 (4.81) |
| Recommended tuning | Hz | 48 |

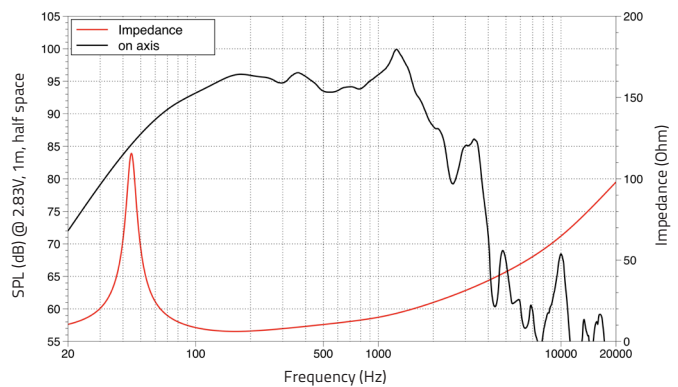
SMALL SIGNAL PARAMETERS

| | | | |
|------------------------------|-------|-------------------------------------|--------------|
| DC resistance | Re | Ohm | 5,1 |
| Resonance frequency | Fs | Hz | 43 |
| Moving mass | Mms | g (oz) | 154,8 (5.46) |
| Compliance | Cms | mm/N | 0,086 |
| Force factor | BxL | N/A | 25,37 |
| Mechanical Q-factor | Qms | | 7,27 |
| Electrical Q-factor | Qes | | 0,34 |
| Total Q-factor | Qts | | 0,32 |
| Equivalent air volume | Vas | l (ft ³) | 89,3 (3.15) |
| Voice coil Inductance | Le | mH | 1,69 |
| Diaphragm area | Sd | cm ² (in. ²) | 855 (132.5) |
| Reference efficiency | Eta 0 | % | 2,11 |
| Efficiency bandwidth product | EBP | Hz | 126 |

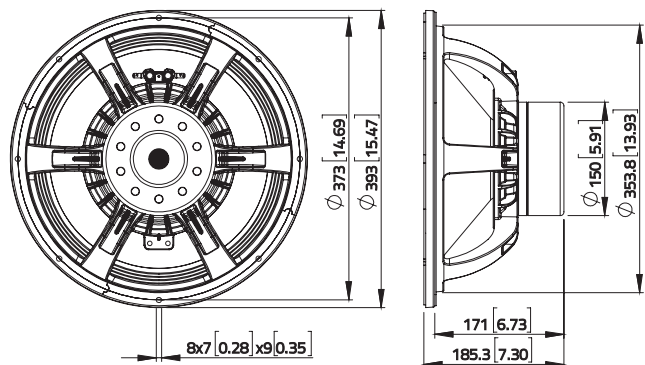
SHIPPING INFORMATION

| | | |
|--------------------|-------------|--|
| Net weight | kg (lb.) | 8,2 (18) |
| Multipack size (1) | mm (in.) | 425 x 430 x 225 (16.7 x 16.9 x 8.8) |
| Multipack weight | kg (lb.) | 9,8 (21.6) |

FREQUENCY RESPONSE AND IMPEDANCE



DIMENSIONS mm (in.)



(1) Program power is defined as 3 dB greater than AES Power. (2) Tested for two hours using a continuous, band-limited pink noise signal as per AES 2-1984 Rev. 2003. Loudspeaker tested in free air. (3) From T/S parameters, measured with Klippel DA LPM module. (4) The Xmax is calculated as: $(Hvc - Hg)/2 + Hg/4$. Hvc is the voice coil height and Hg the gap height. (5) The Xmech is calculated as: $(Hvc - Hg)/2 + (Hg - 2)$. Hvc is the voice coil height and Hg the gap height. (6) Thiele-Small parameters are measured after preconditioning: a) at 20°C - 22°C, 50% humidity for 2 hours; b) by Klippel LSI measurement.

All specifications subject to change without notice_H.a

