

TN131.00

Lavoce

1.3" SOFT DOME TWEETER

NEODYMIUM MAGNET



- 1 INCH VOICECOIL
- 89 dB/SPL SENSITIVITY
- 30 WATT PROGRAM POWER HANDLING
- FEM OPTIMIZED MOTOR AND DIAPHRAGM
- TEXTILE DIAPHRAGM

GENERAL SPECIFICATIONS

Nominal diameter	mm (in.)	32 (1.3)
Nominal impedance	Ω	8
Minimum impedance	Ω	6,3
Program power (1)	W	30
AES power above 2.5 kHz (12dB/oct) (2)	W	15
Sensitivity (3)	dB	89
Frequency range	Hz	1250 ÷ 26000
Voice coil diameter	mm (in.)	25,4 (1)
Magnet material		Neodymium
Coil material		CCAW
Former material		Polyimide
Diaphragm and Surround material		Textile
Ferrofluid		YES

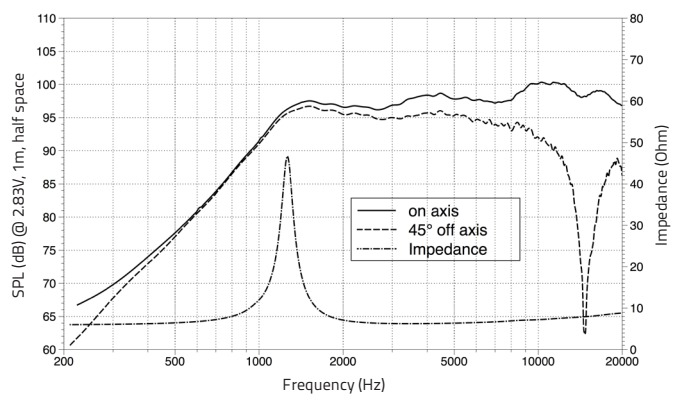
SMALL SIGNAL PARAMETERS

DC resistance	Re	Ohm	5,6
Resonance frequency	Fs	Hz	1250
Moving mass	Mms	g (oz)	0,27 (0.01)
Compliance	Cms	mm/N	0,06
Force factor	BxL	N/A	2,9
Mechanical Q-factor	Qms		0,89
Electrical Q-factor	Qes		1,6
Total Q-factor	Qts		0,57
Voice coil inductance	Vas	l (ft ³)	0,04
Para-inductance of voice coil	Le	mH	0,03
Diaphragm area	Sd	cm ² (in. ²)	9,3 (1.45)

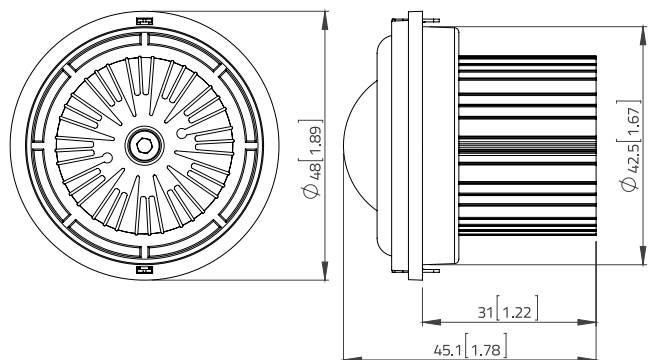
SHIPPING INFORMATION

Net weight	Kg (lb.)	0,035 (0.08)
Multipack size (100)	mm x mm x mm (in. x in. x in.)	320 x 320 x 265 (12.6 x 12.6 x 10.4)
Multipack weight	Kg (lb.)	9,50 (21.7)

FREQUENCY RESPONSE



DIMENSIONS mm (in.)



(1) Program power is defined as 3 dB greater than AES Power. (2) Tested with heat sink for two hours using a continuous, band-limited pink noise signal as per AES 2-1984 Rev. 2003. (3) Measured on axis at 2.83V, 1m, halfspace, average SPL in the frequency range

All specifications subject to change without notice_A.a

